

## Maintenance guide for steps

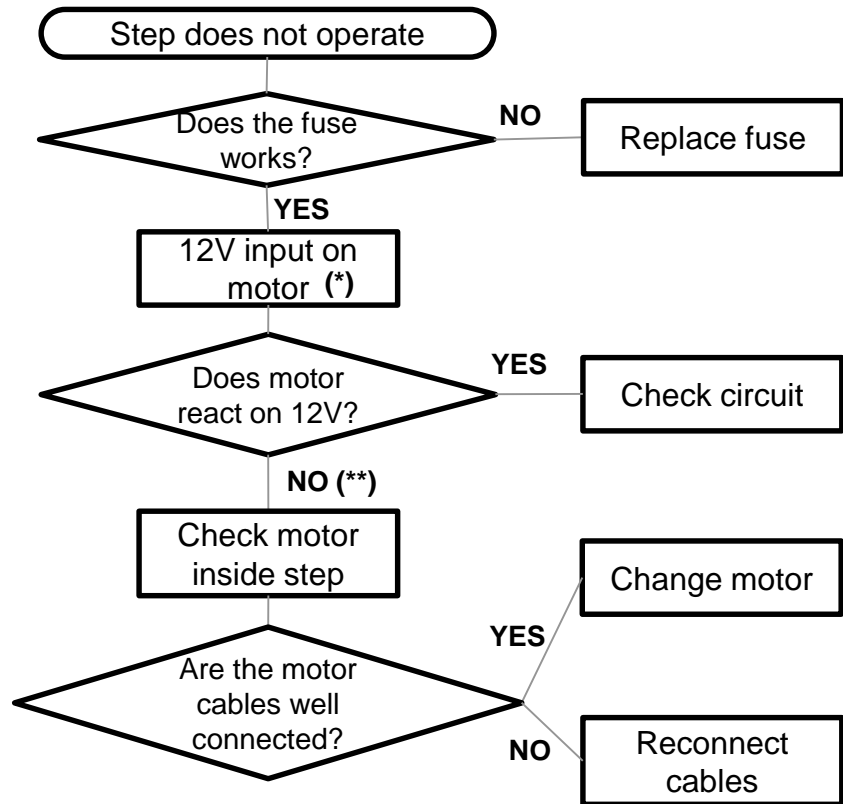
### Roadtrek

PE

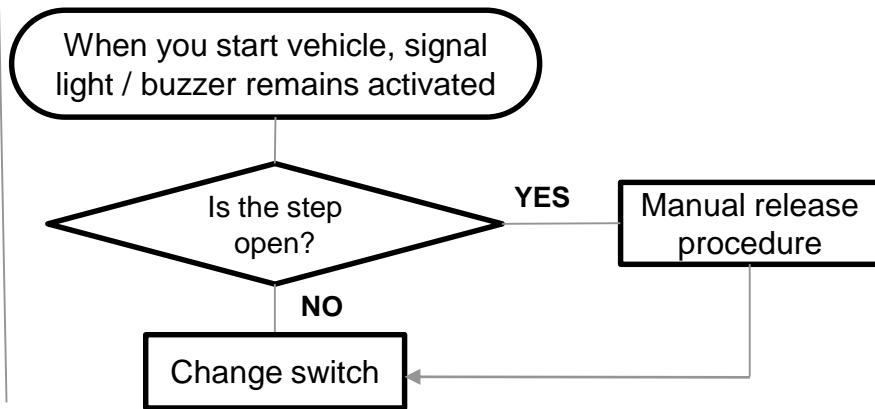
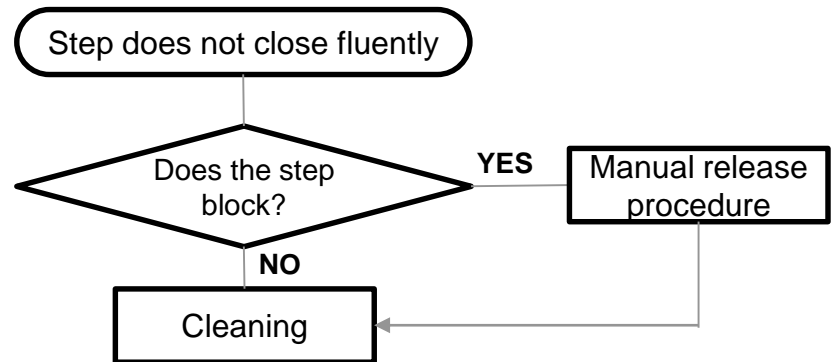
20/07/2017



# Trouble shoot overview



(\*) – to measure on the closest connection points of the motor  
(\*\*) - if the step is open → close step – manual release procedure



# Slide Out evolution

2012

2016

## Slide Out V12

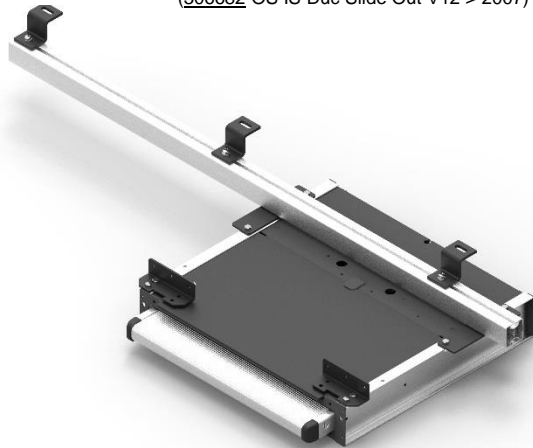
(306582 Step SLO 2012 12v 400)

(306592 Step SLO 2012 12V 700)

+

## Mounting kit for Ducato

(306682 OS IS Duc Slide Out V12 > 2007)



## Slide Out V16

(301446 Step SLO 16 duc 12V 400 NA/OP)

(301447 OS IS SL O Duc 16 12V400 20pc)

(301448 Step SLO 16 duc 16 12V700 NA/OP)

(301449 OS IS SLO Duc 16 12V700 20pc)

=

## Ducato version



### USP's

- Smart and stable installation
- Fits with new euro 6 motor
- Easy manual stow operation
- Nice visual finish
- Reduced weight

# Slide Out evolution

2012

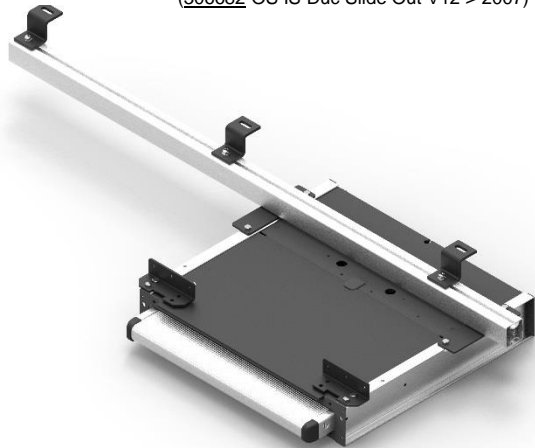
## Slide Out V12

(306582 Step SLO 2012 12v 400)  
(306592 Step SLO 2012 12V 700)

+

## Mounting kit for Ducato

(306682 OS IS Duc Slide Out V12 > 2007)



2016

## Slide Out V16

(301446 Step SLO 16 duc 12V 400 NA/OP)  
(301447 OS IS SL O Duc 16 12V400 20pc)  
(301448 Step SLO 16 duc 16 12V700 NA/OP)  
(301449 OS IS SLO Duc 16 12V700 20pc)

=

## Ducato version



### USP's

- Smart and stable installation
- Fits with new euro 6 motor
- Easy manual stow operation
- Nice visual finish
- Reduced weight

# Slide Out V12

- Manual release

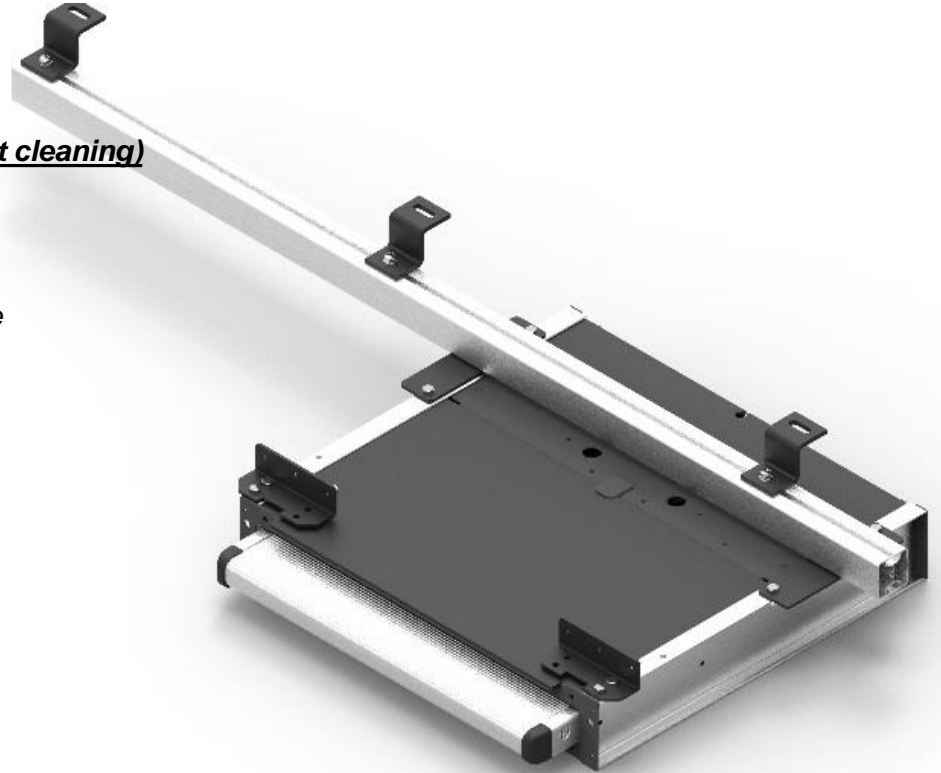
→ *When footboard is open, in case of power failure*

- Cleaning (**First follow manual release procedure to start cleaning**)

→ *When step is closed, to clean footboard + casement*

- Switch change

→ *When step is mounted on the vehicle, in case of switch failure*



# Slide Out V12

- Manual release

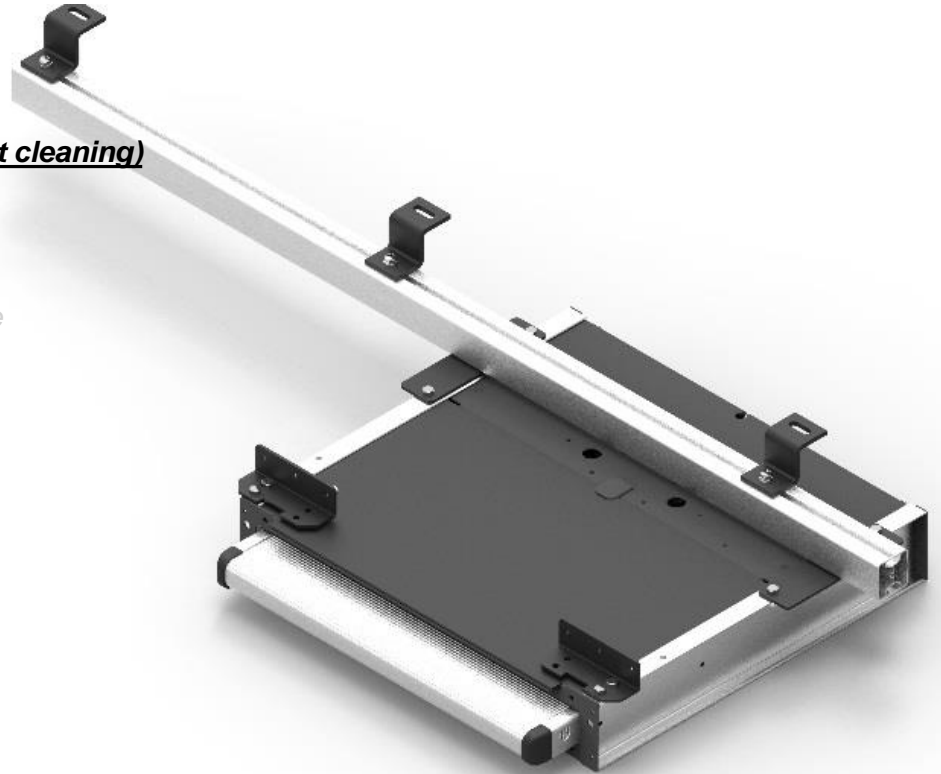
→ *When footboard is open, in case of power failure*

- Cleaning (**First follow manual release procedure to start cleaning**)

→ *When step is closed, to clean footboard + casement*

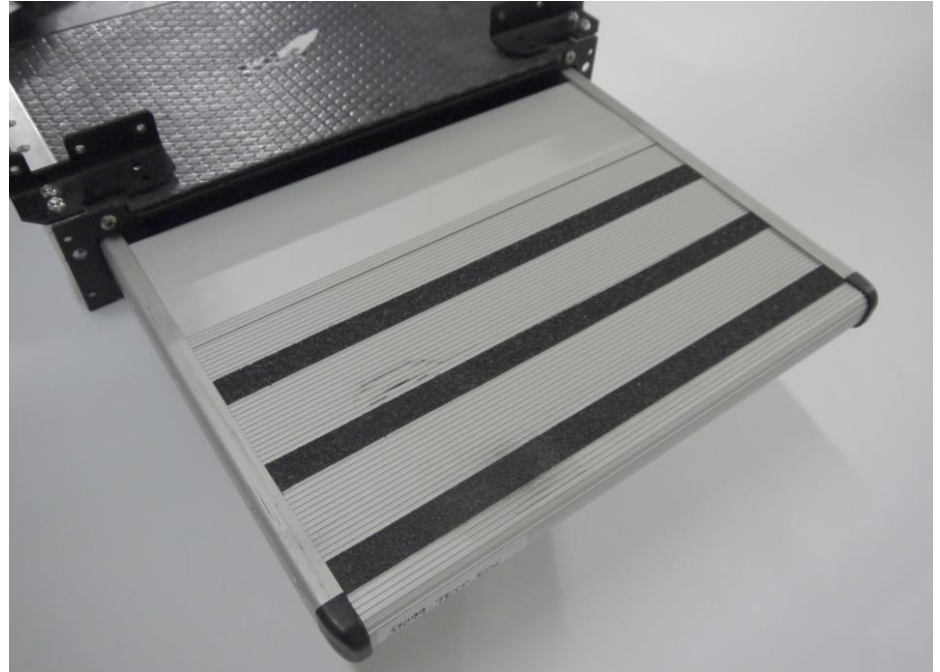
- Switch change

→ *When step is mounted on the vehicle, in case of switch failure*



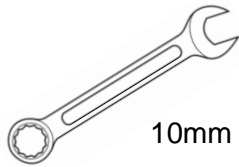
## Manual release / Cleaning – Slide Out V12

1. Start from an open Slide Out



# Manual release / Cleaning – Slide Out V12

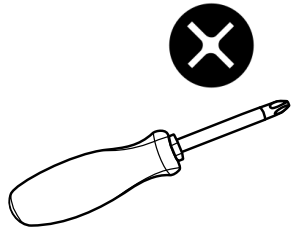
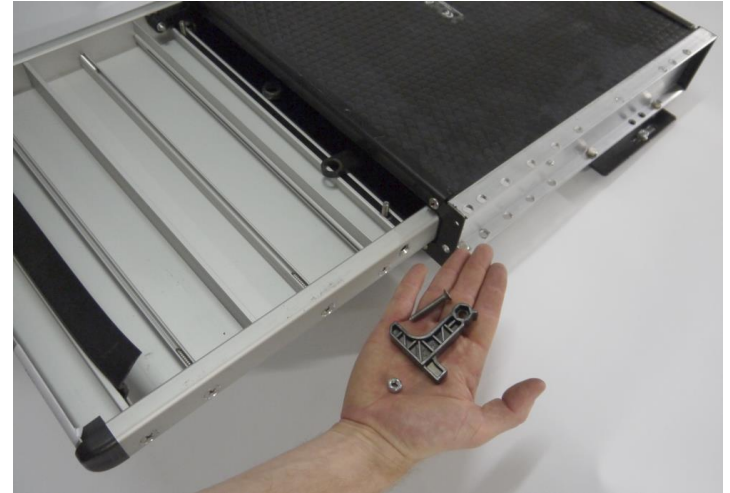
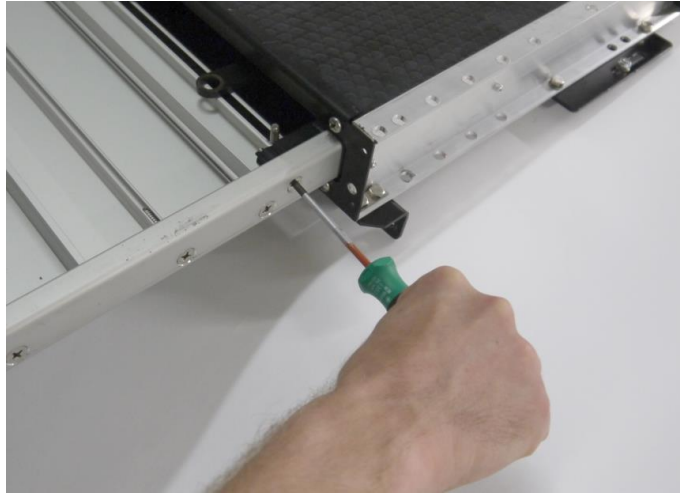
1. Start from an open Slide Out
2. Disconnect motor arms





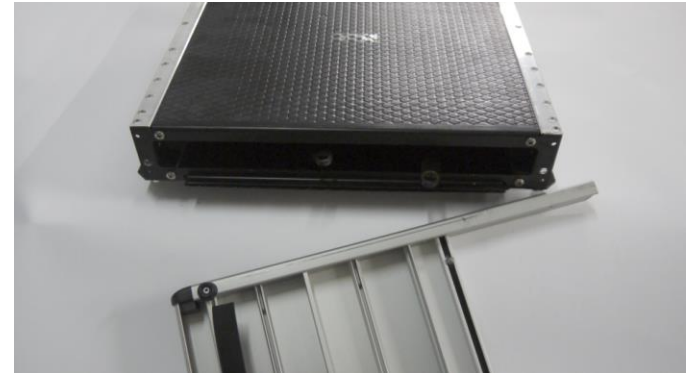
# Manual release / Cleaning – Slide Out V12

1. Start from an open slide out
2. Disconnect motor arms
3. Remove stops



## Manual release / Cleaning – Slide Out V12

1. Start from an open slide out
2. Disconnect motor arms
3. Remove stops
4. Remove the complete footboard



## Cleaning – Slide Out V12

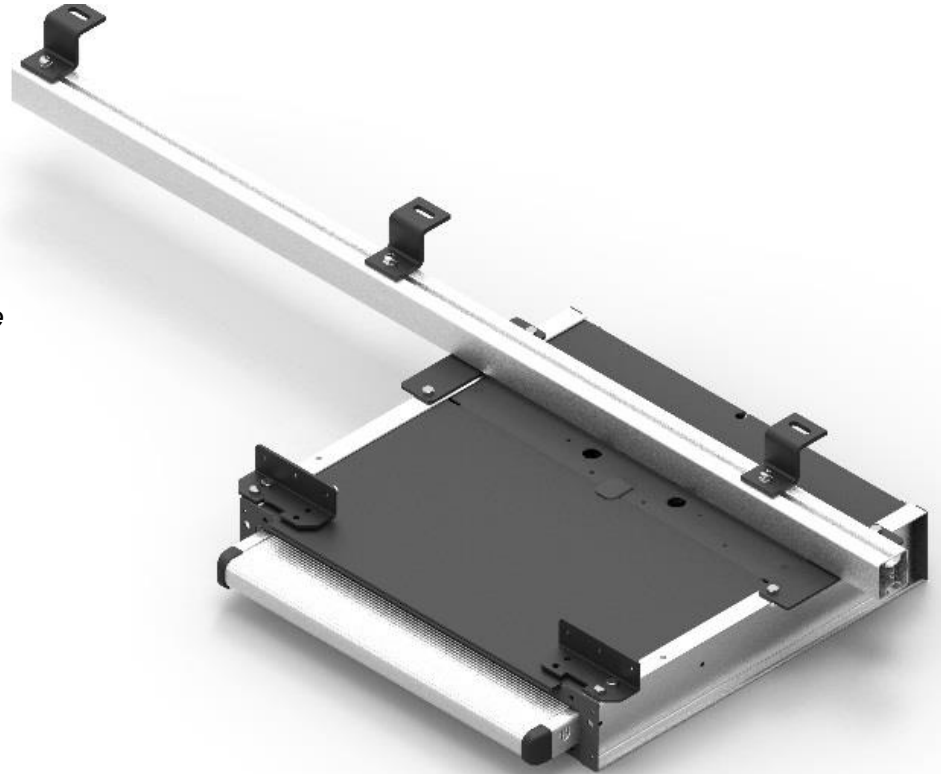
1. Start from an open slide out
2. Disconnect motor arms
3. Remove stops
4. Remove the complete footboard

- Clean inside with:
  - Vacuum cleaner
  - Long brush



# Slide Out V12

- Manual release
  - *When footboard is open, in case of power failure*
- Cleaning
  - *When step is closed, to clean footboard + casement*
- Switch change
  - *When step is mounted on the vehicle, in case of switch failure*

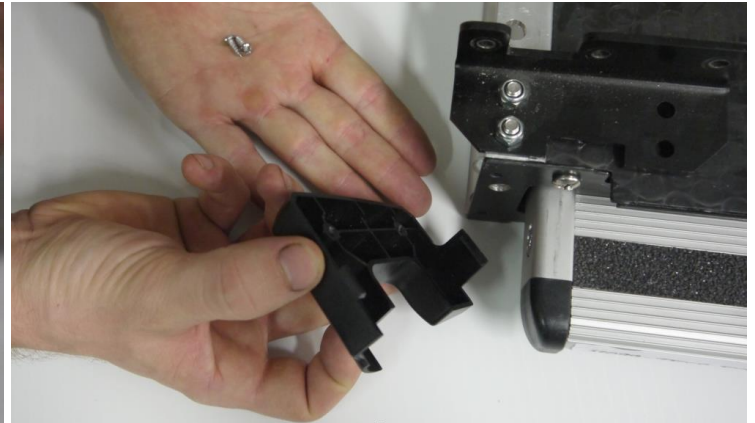
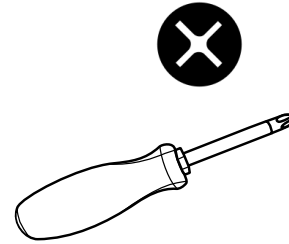


Spare Part:

1500603111- Alarmswitch slide out V12

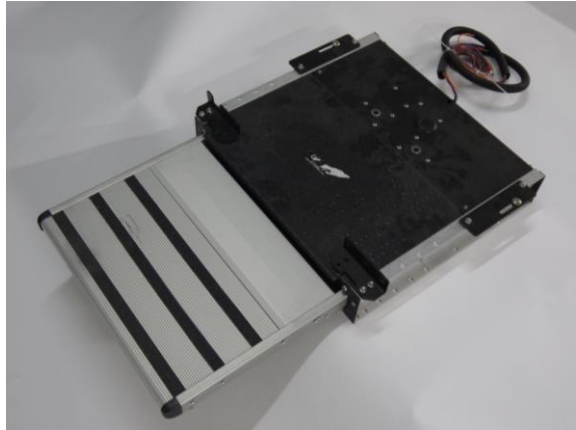
# Switch change – Slide Out V12

1. Remove endcap and front profile – when mounted on the vehicle !

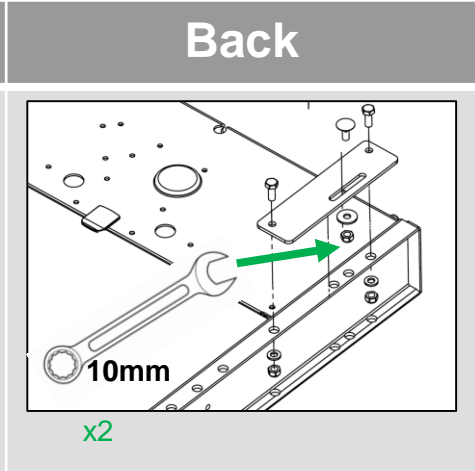
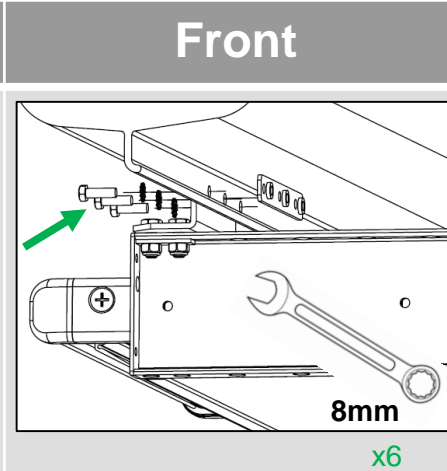


# Switch change – Slide Out V12

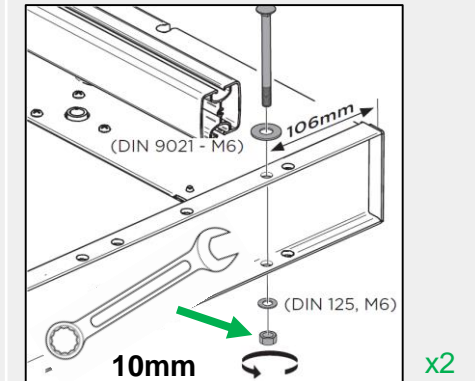
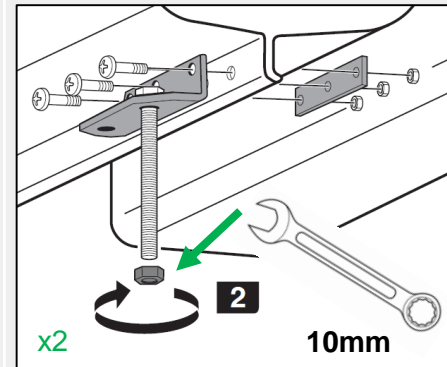
1. Remove endcap and front profile
2. Remove step from the vehicle



306682  
OS IS Duc  
Slide Out  
V12 > 2007



309946  
OS IS Duc  
Slide Out  
V15 > 2007



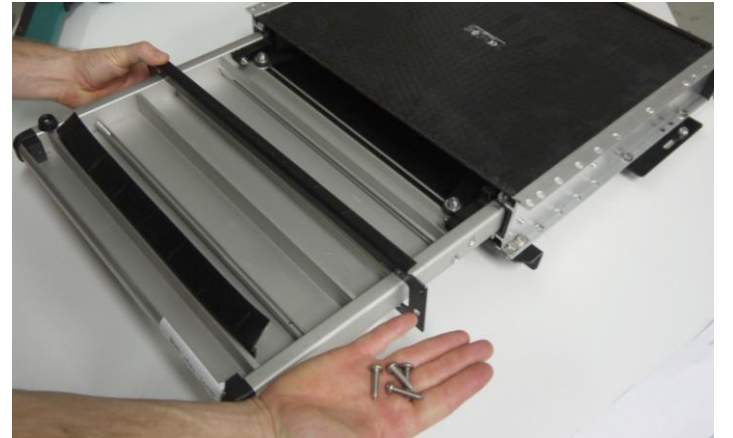
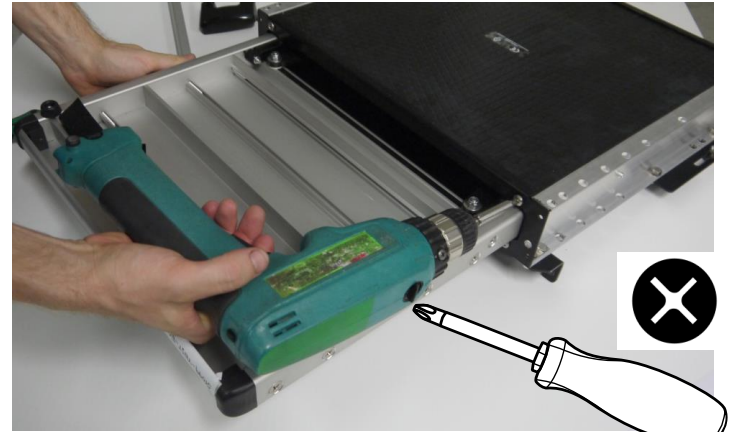
# Switch change – Slide Out V12

1. Remove endcap and front profile
2. Remove step from the vehicle
3. Release the switch screws 2x
  - Not the motor screws! 8x



# Switch change – Slide Out V12

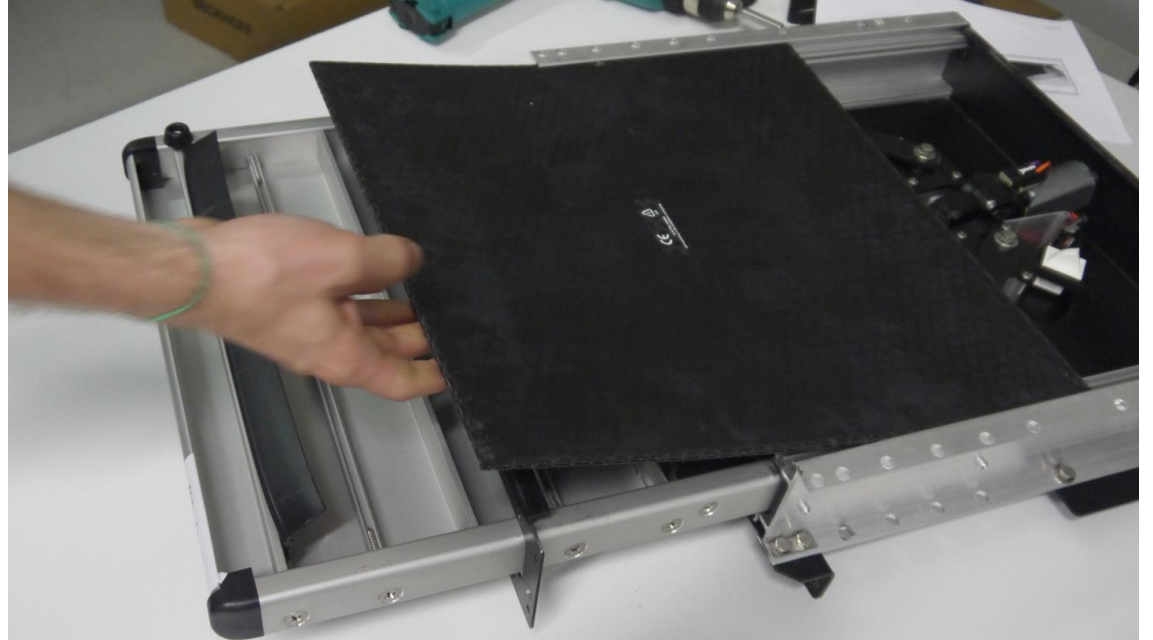
1. Remove endcap and front profile
  - Cross screw driver
2. Remove step from the vehicle
3. Release the switch screws 2x
  - Not the motor screws! 6x
4. Remove frontplate





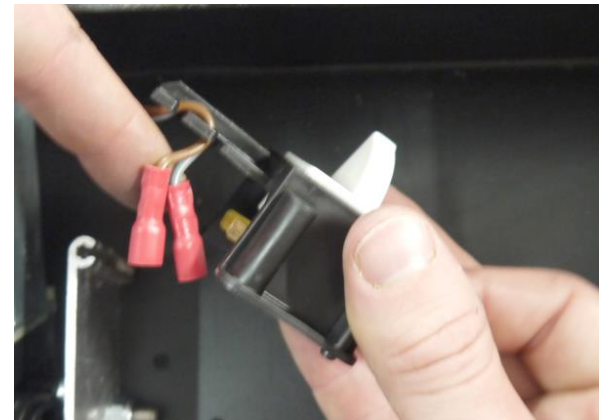
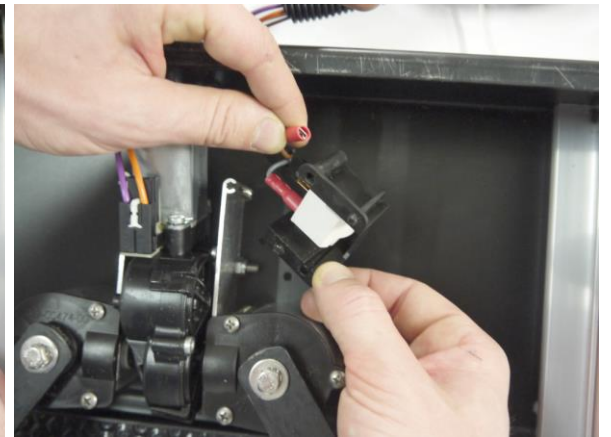
## Switch change – Slide Out V12

1. Remove endcap and front profile
  - Cross screw driver
2. Remove step from the vehicle
3. Release the switch screws 2x
  - Not the motor screws! 6x
4. Remove frontplate
  - Cross screw driver x 4
5. Remove bottom plate



## Switch change – Slide Out V12

1. Remove endcap and front profile
  - Cross screw driver
2. Remove step from the vehicle
3. Release the switch screws 2x
  - Not the motor screws! 6x
4. Remove frontplate
  - Cross screw driver x 4
5. Remove bottom plate
6. Replace the connector switch



# Slide Out evolution

2012

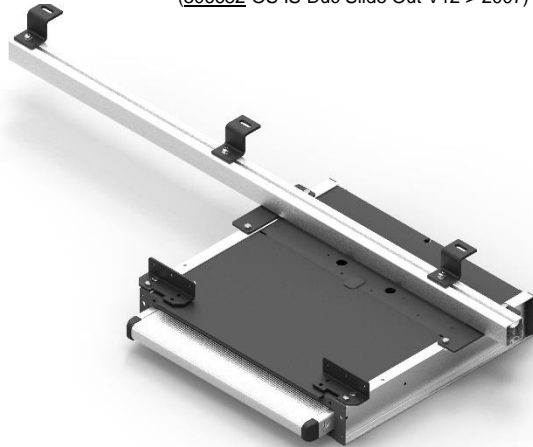
## Slide Out V12

(306582 Step SLO 2012 12v 400)  
(306592 Step SLO 2012 12V 700)

+

## Mounting kit for Ducato

(306682 OS IS Duc Slide Out V12 > 2007)



2016

## Slide Out V16

(301446 Step SLO 16 duc 12V 400 NA/OP)  
(301447 OS IS SL O Duc 16 12V400 20pc)  
(301448 Step SLO 16 duc 16 12V700 NA/OP)  
(301449 OS IS SLO Duc 16 12V700 20pc)

=

## Ducato version

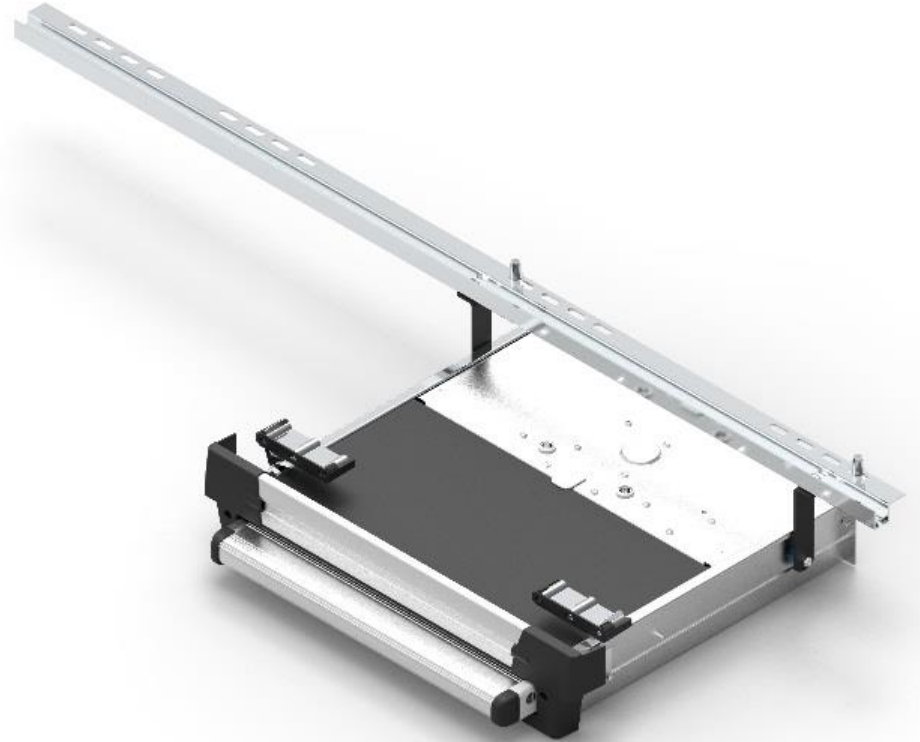


### USP's

- Smart and stable installation
- Fits with new euro 6 motor
- Easy manual stow operation
- Nice visual finish
- Reduced weight

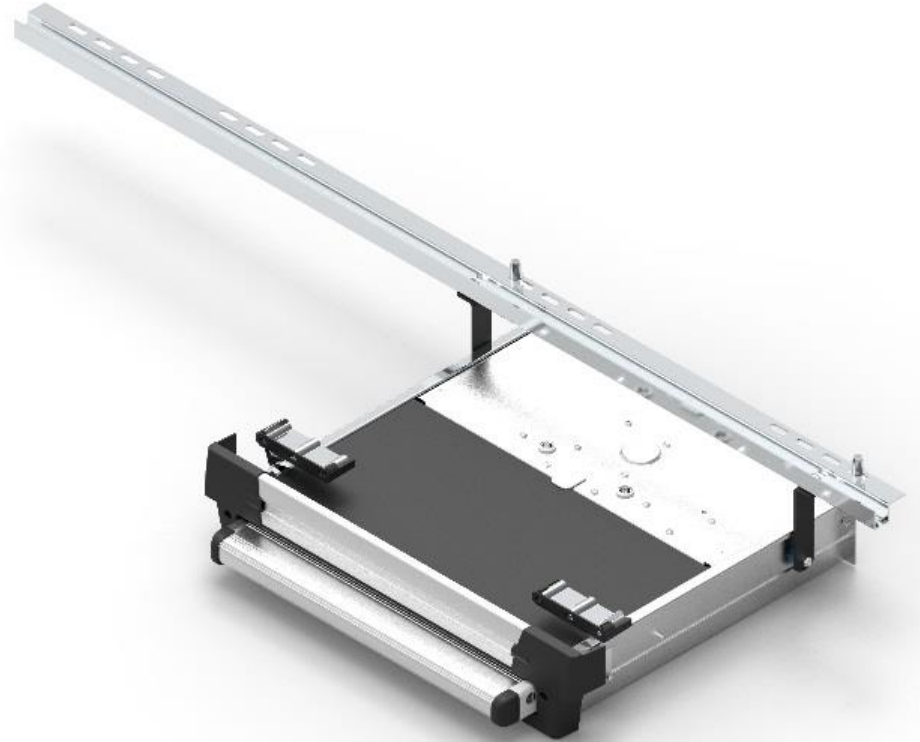
## Slide Out V16 = Ducato Version

- Manual release
  - *When footboard is completely open, in case of power failure*
- Cleaning
  - *When step is closed, to clean footboard + casement*
- Switch change
  - *When step is mounted on the vehicle, in case of switch failure*



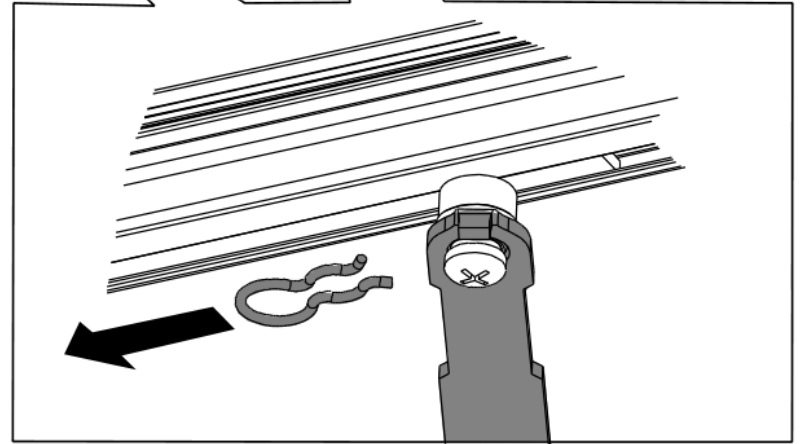
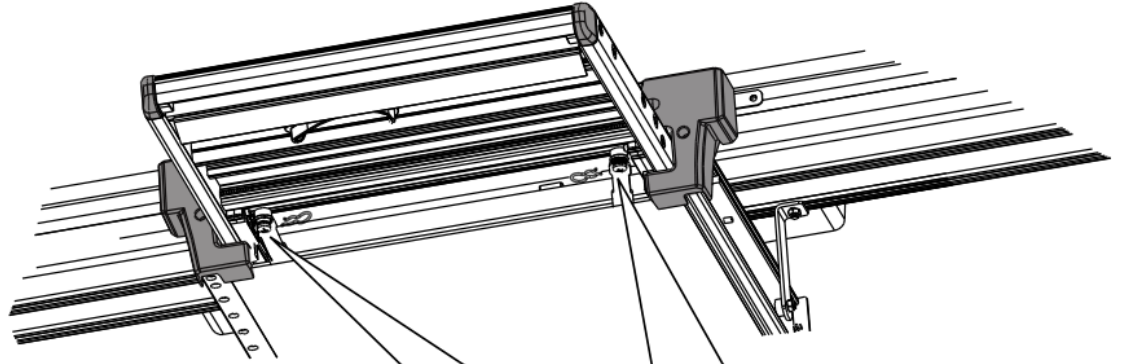
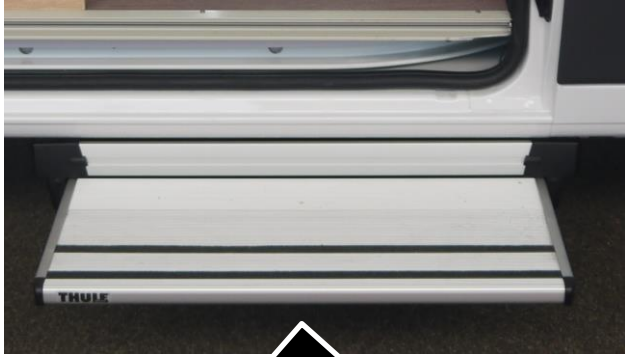
## Slide Out V16 = Ducato Version

- Manual release
  - *When footboard is completely open, in case of power failure*
- Cleaning
  - *When step is closed, to clean footboard + casement*
- Switch change
  - *When step is mounted on the vehicle, in case of switch failure*



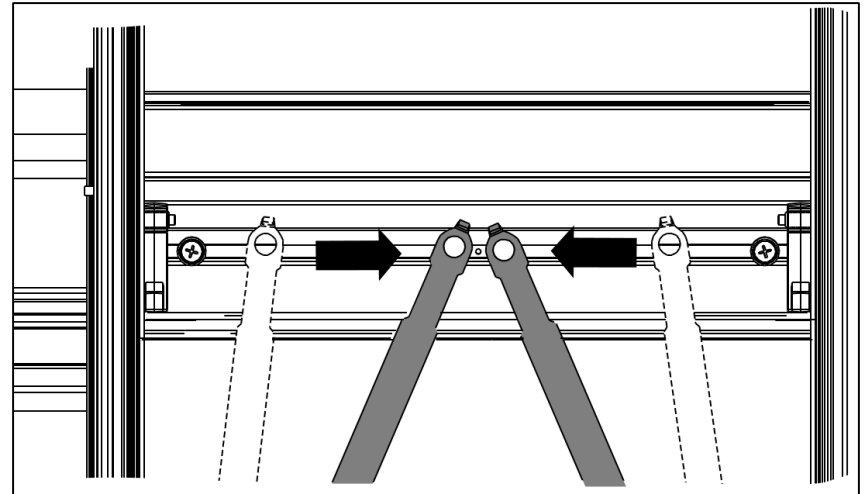
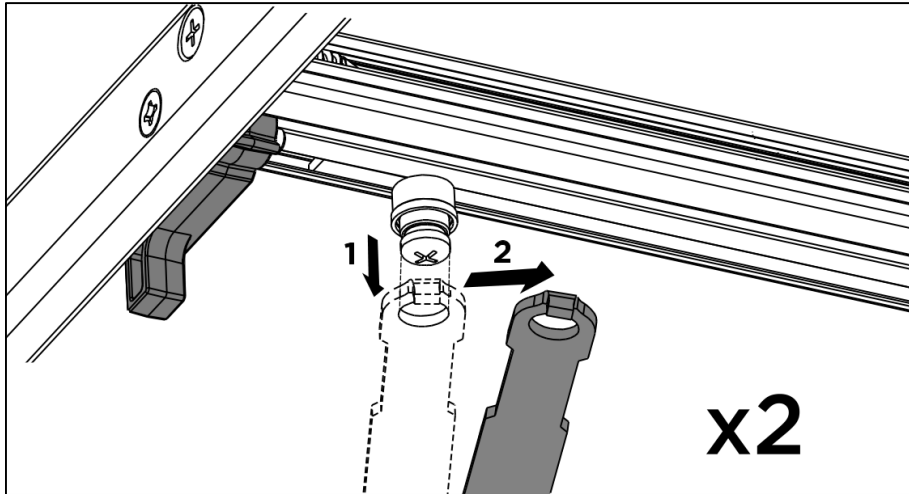
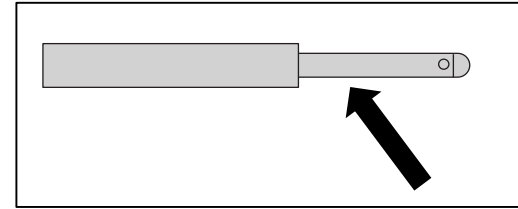
# Manual release – Slide Out V16

1. Remove manually motor arm clips



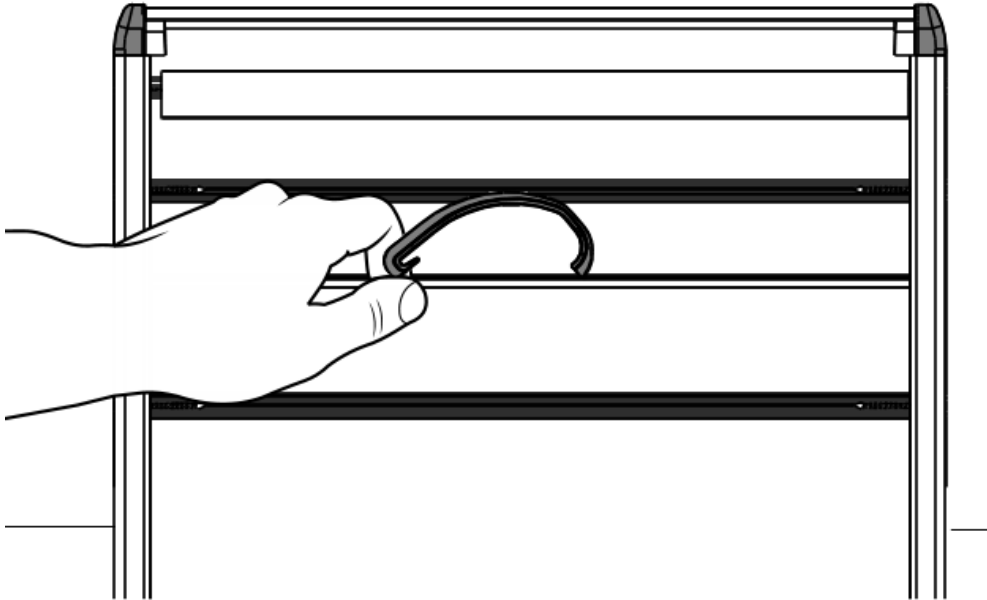
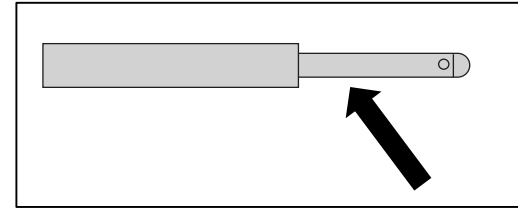
# Manual release – Slide Out V16

1. Remove manually motor arm clips
2. Rotate the motor arms to the center of the step



## Manual release – Slide Out V16

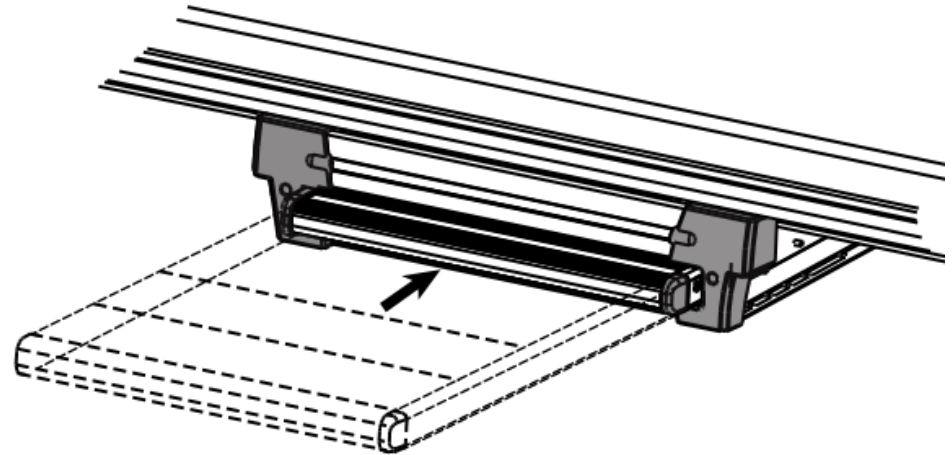
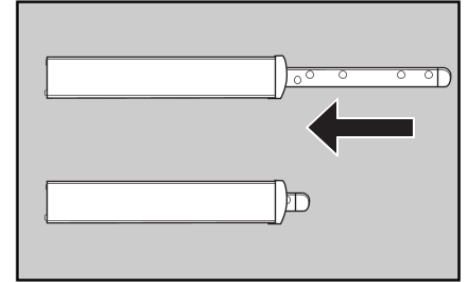
1. Remove manually motor arm clips
2. Rotate the motor arms to the center of the step
3. Remove footboard clamp





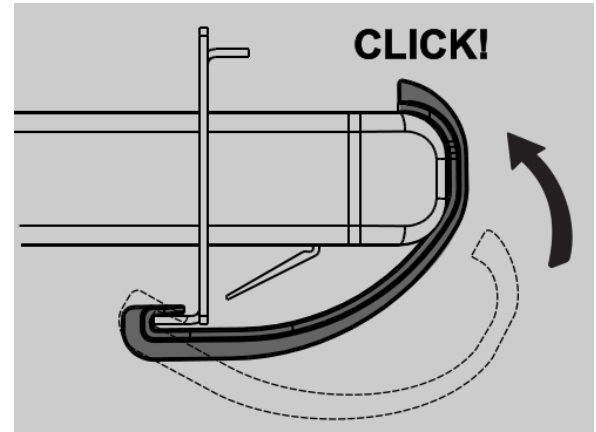
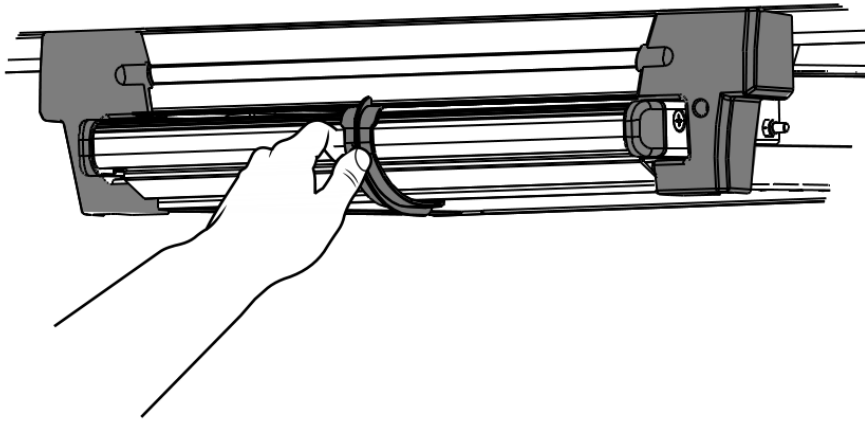
## Manual release – Slide Out V16

1. Remove manually motor arm clips
2. Rotate the motor arms to the center of the step
3. Remove footboard clamp
4. Close the step by pushing the footboard back in the case



## Manual release – Slide Out V16

1. Remove manually motor arm clips
2. Rotate the motor arms to the center of the step
3. Remove footboard clamp
4. Close the step by pushing the footboard back in the case
5. Use the footboard clamp to fix the footboard



## Slide Out V16 = Ducato Version

- Manual release

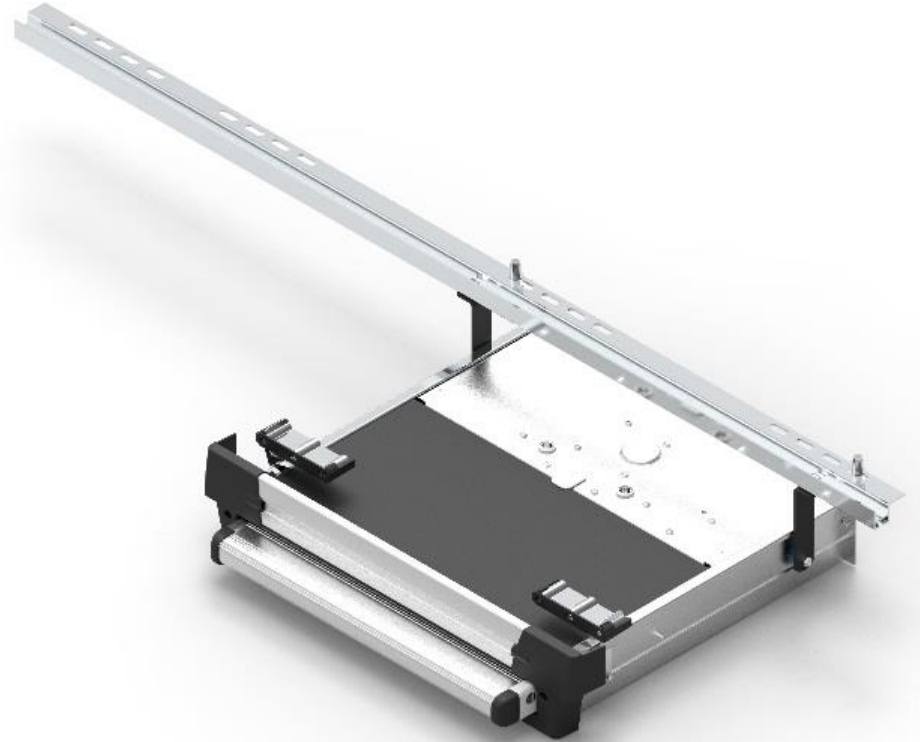
→ *When footboard is completely open, in case of power failure*

- Cleaning

→ *When step is closed, to clean footboard + casement*

- Switch change

→ *When step is mounted on the vehicle, in case of switch failure*



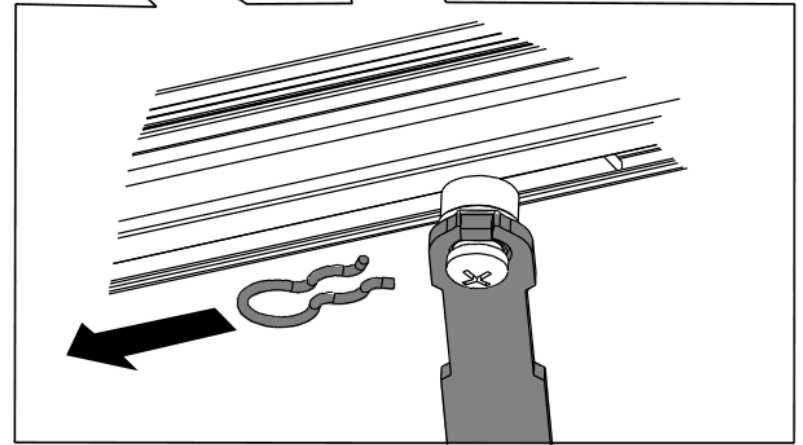
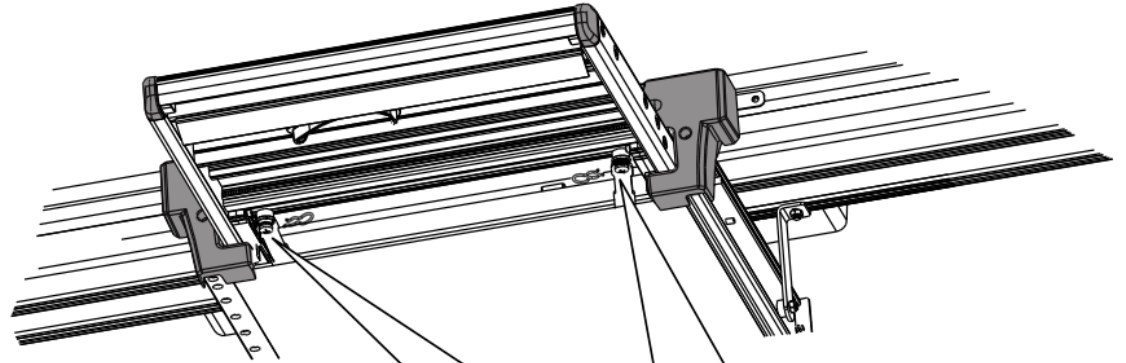
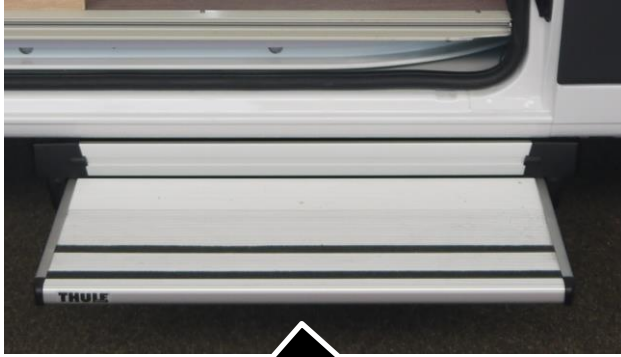
## Cleaning – Slide Out V16

1. Open the slide out completely



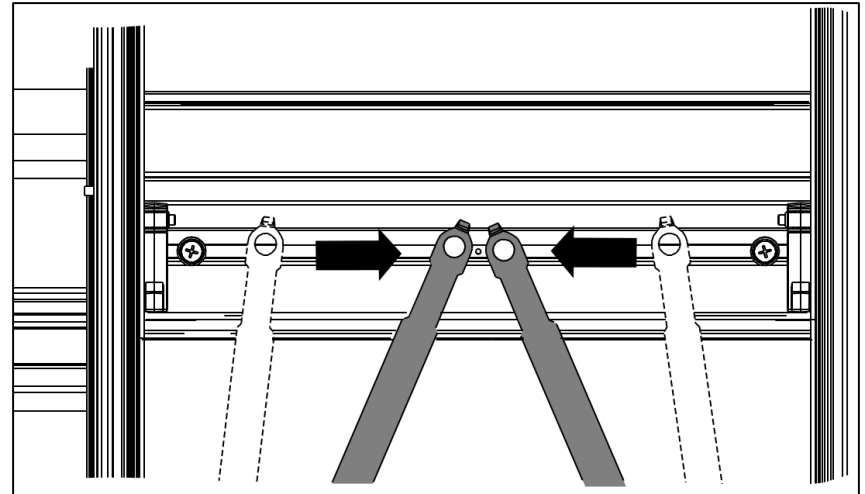
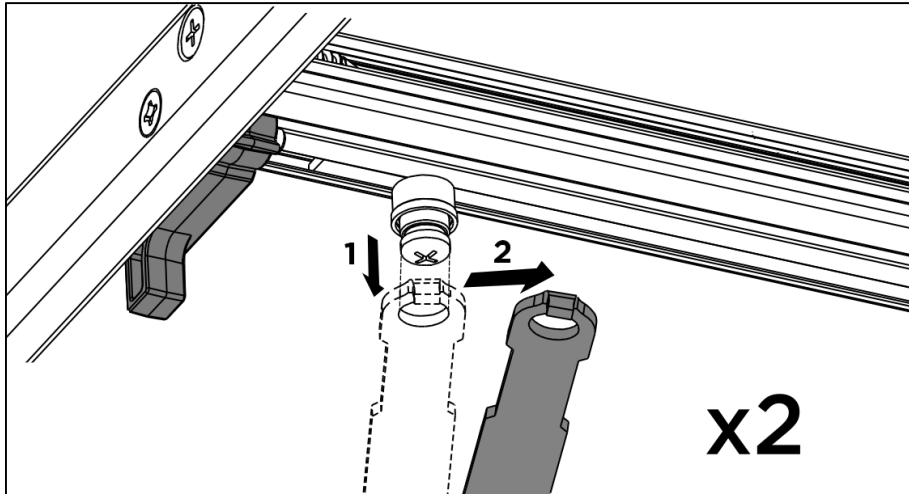
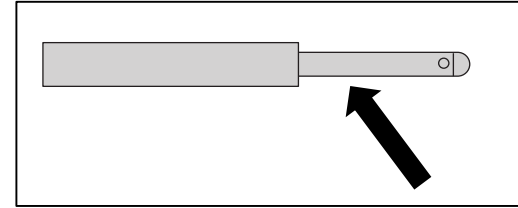
# Cleaning – Slide Out V16

1. Open the slide out completely
2. Remove manually motor arm clips



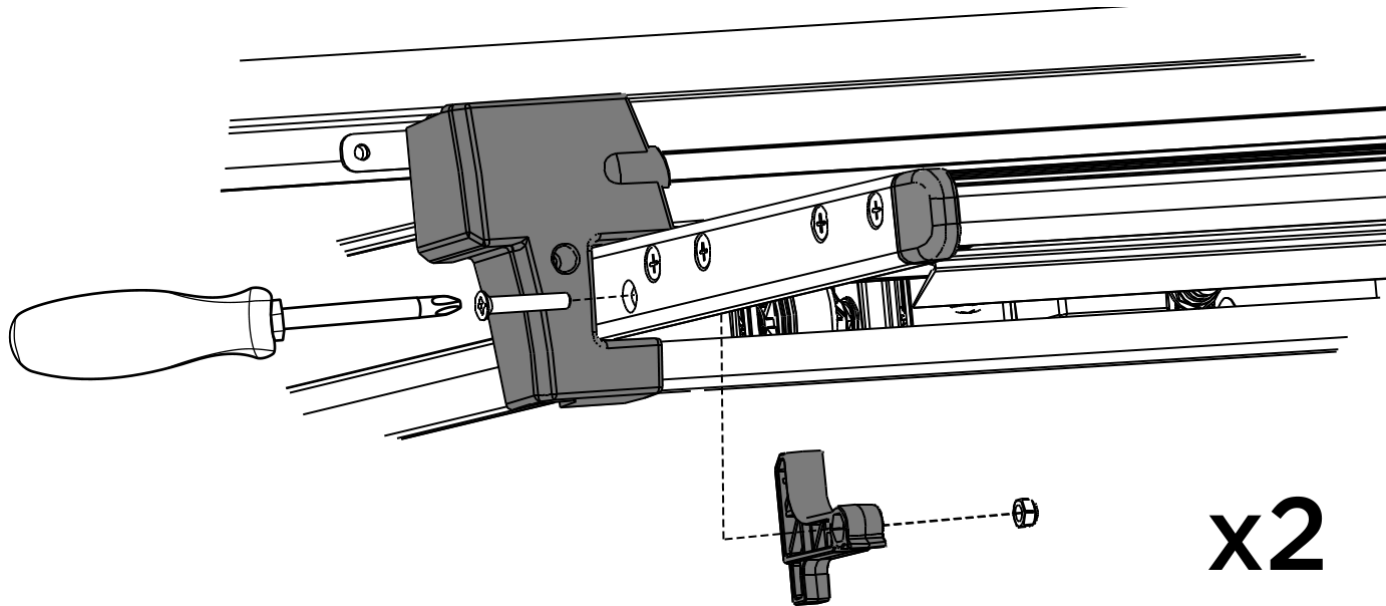
# Cleaning – Slide Out V16

1. Open the slide out completely
2. Remove manually motor arm clips
3. Rotate the motor arms to the center of the step



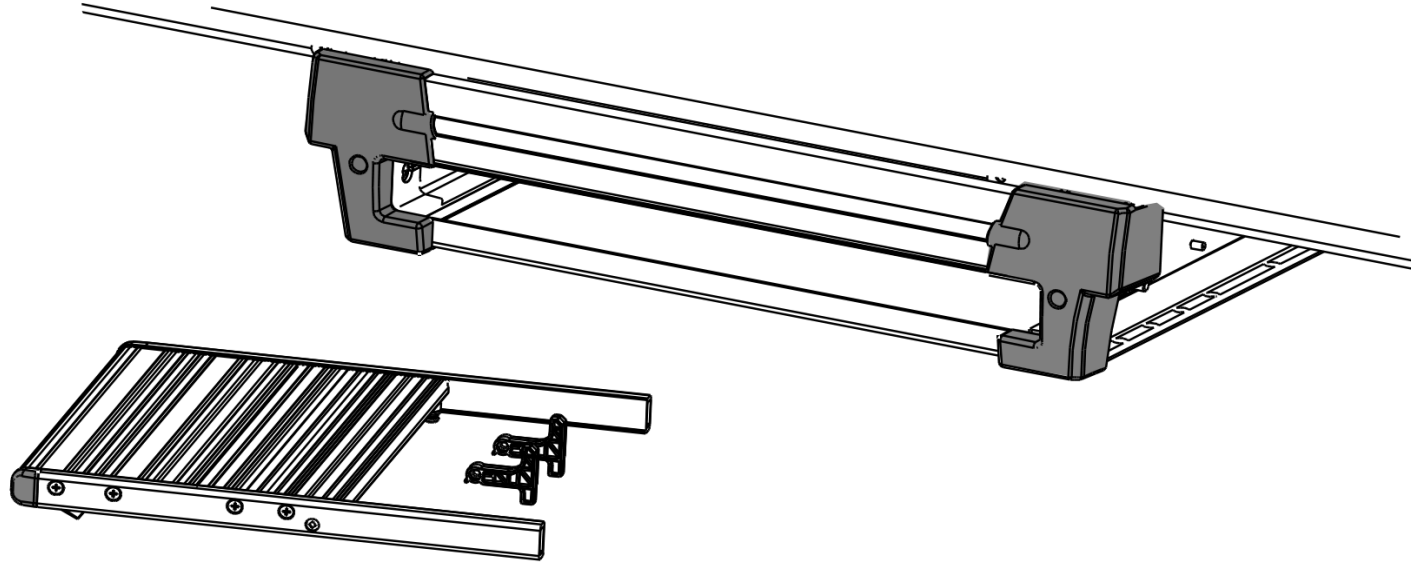
## Cleaning – Slide Out V16

1. Open the slide out completely
2. Remove manually motor arm clips
3. Rotate the motor arms to the center of the step
4. Remove stops



## Cleaning – Slide Out V16

1. Open the slide out completely
2. Remove manually motor arm clips
3. Rotate the motor arms to the center of the step
4. Remove stops
5. Remove the complete footboard



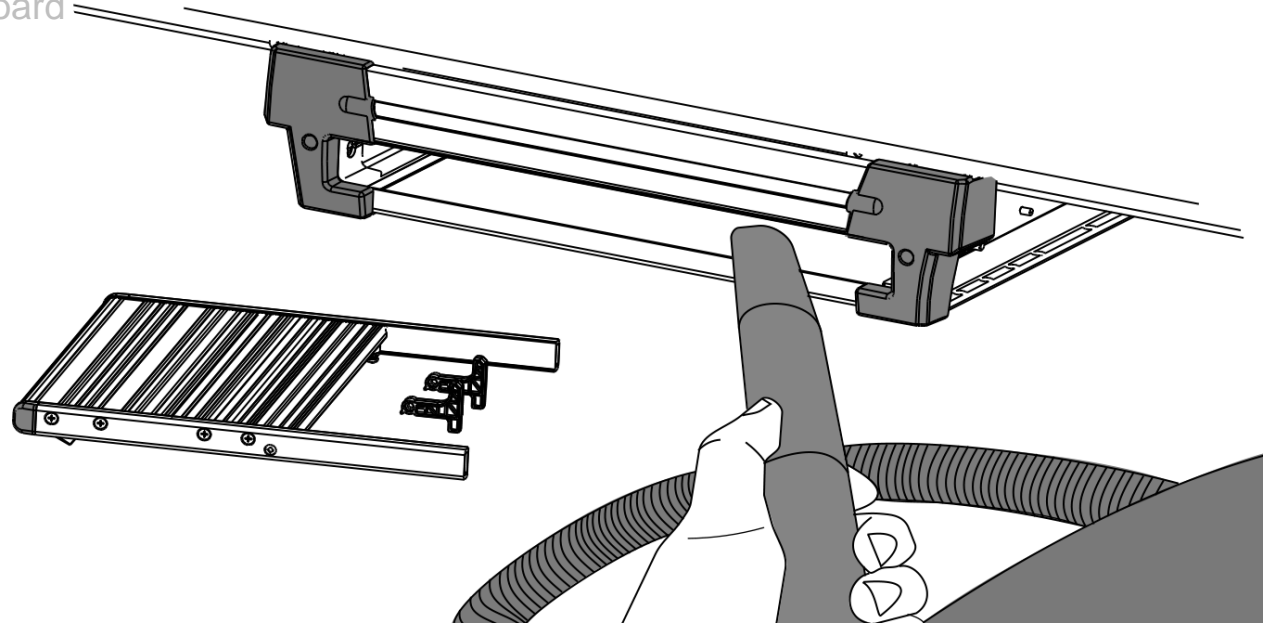


# Cleaning – Slide Out V16

1. Open the slide out completely
2. Remove manually motor arm clips
3. Rotate the motor arms to the center of the step
4. Remove stops
5. Remove the complete footboard

- Clean inside with:

- Vacuum cleaner
- Long brush

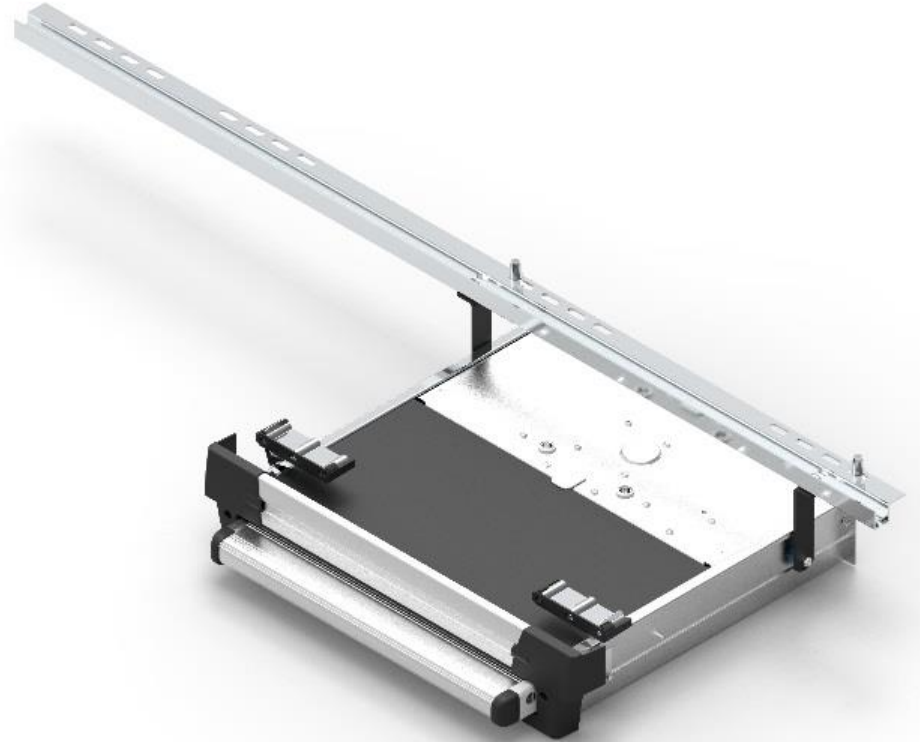


# Slide Out V16 = Ducato Version

- Manual release  
→ *When footboard is completely open, in case of power failure*
- Cleaning  
→ *When step is closed, to clean footboard + casement*
- Switch change  
→ *When step is mounted on the vehicle, in case of switch failure*

Spare Part:

1500603129 - Alarmswitch slide out V16



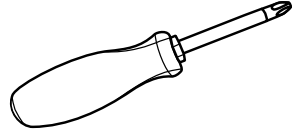
# Switch change – Slide Out V16

1. Remove endcap and front profile



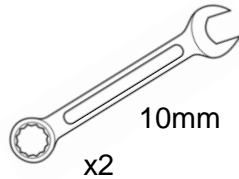
# Switch change – Slide Out V16

1. Remove endcap and front profile
2. Remove step from the vehicle



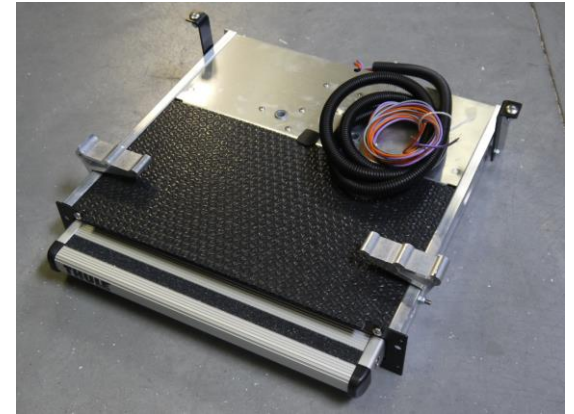
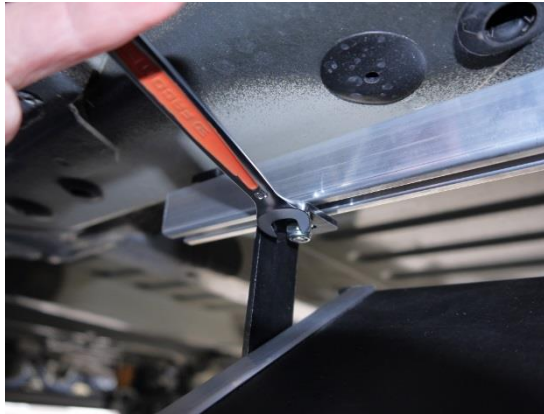
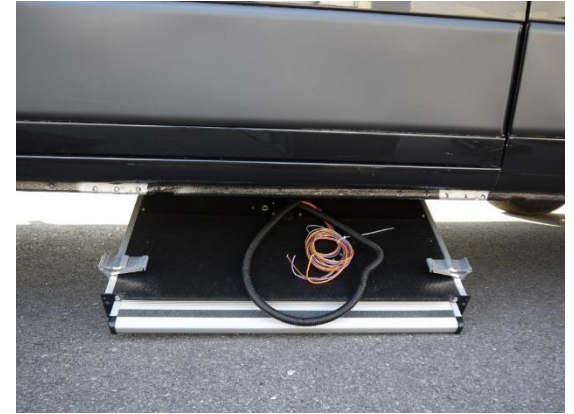
x6

DIN7981C TX25



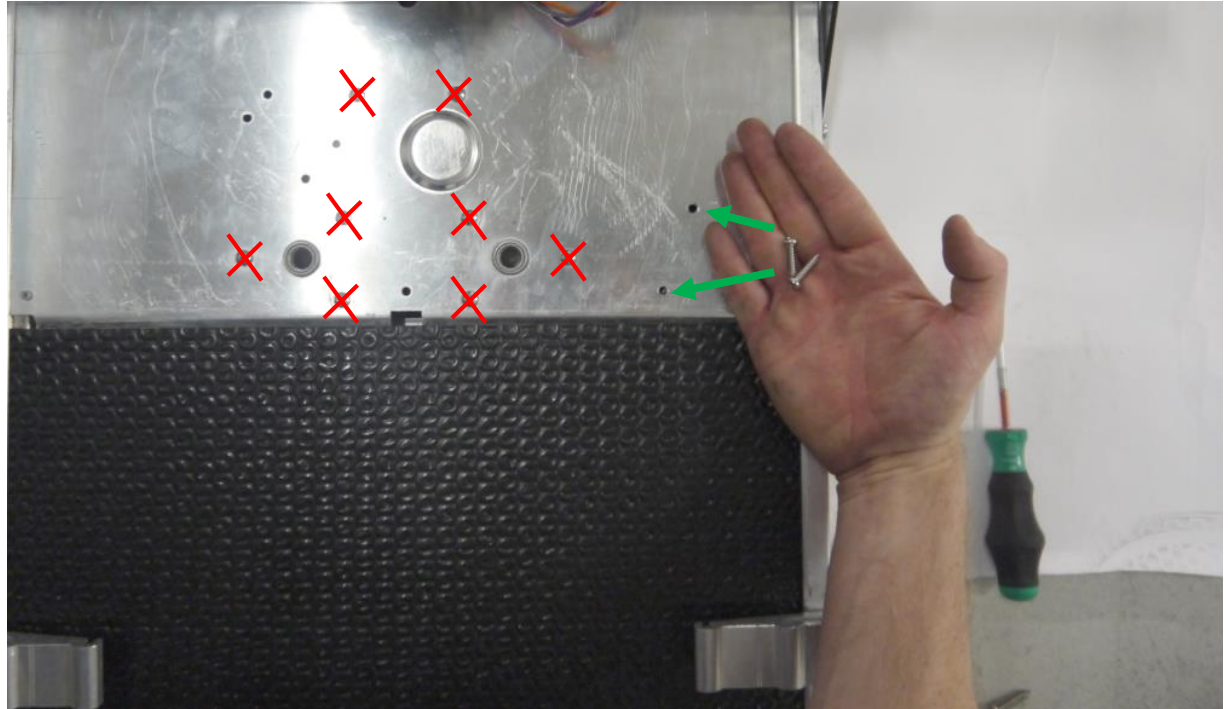
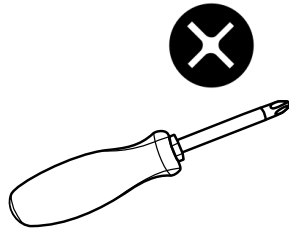
10mm

x2



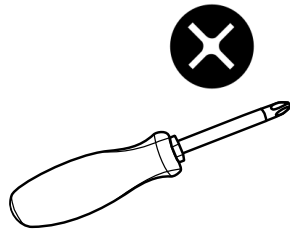
# Switch change – Slide Out V16

1. Remove endcap and front profile
2. Remove step from the vehicle
3. Release the switch screws **2x**
  - Not the motor screws! **8x**



## Switch change – Slide Out V16

1. Remove endcap and front profile
2. Remove step from the vehicle
3. Release the switch screws 2x
  - Not the motor screws! 6x
4. Remove frontplate



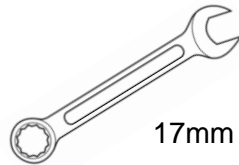
## Switch change – Slide Out V16

1. Remove endcap and front profile
2. Remove step from the vehicle
3. Release the switch screws 2x
  - Not the motor screws! 6x
4. Remove frontplate
5. Remove bottom plate



## Switch change – Slide Out V16

1. Remove endcap and front profile
2. Remove step from the vehicle
3. Release the switch screws 2x
  - Not the motor screws! 6x
4. Remove frontplate
5. Remove botom plate
6. Remove dust helmet from the switch





## Switch change – Slide Out V16

1. Remove endcap and front profile
2. Remove step from the vehicle
3. Release the switch screws 2x
  - Not the motor screws! 6x
4. Remove frontplate
5. Remove bottom plate
6. Remove dust helmet from the switch
7. Replace the connector switch

